

Hostess

HO392

Instructions for Use

IMPORTANT

Read these instructions carefully before you attempt to use the appliance. Keep these instructions for future reference.

- **This appliance must be earthed.**
- Recommended for indoor use only.
- Before connecting the appliance, check that the voltage indicated on the rating plate corresponds to the mains voltage in your home.
- The appliance should be connected to an earthed mains socket.
- If the supply cord is damaged, it must be replaced by the manufacturer, its service agent or similarly qualified persons in order to avoid a hazard.
- Clean the appliance only as advised in section “Cleaning”.
- When in use, the appliance is hot! Never leave objects on or leaning against it after switching it on.
- Always allow sufficient space around the appliance.
- Whilst the appliance meets the requirements of current standards, it is possible that certain surfaces (e.g. those treated with beeswax preparations) may be affected by downward heat radiation. To prevent the risk, the “Hostess” should be placed on an insulating mat.
- The appliance is not suitable for building into fitted kitchens.
- Avoid touching the hot parts of the appliance.

- Wear kitchen gloves or use a cloth when removing the dishes etc. from the appliance.
- Never touch the heating elements.
- Do not place dishes etc. on the open glass door as this may cause breakage.
- Avoid scratching the inside of the appliance when placing or removing plates or dishes.
- Keep a watchful eye on children, especially when the appliance is hot.
- Do not allow the mains cord to touch the hot parts of the appliance.
- Food should not be reheated in this appliance.

BEFORE USING FOR THE FIRST TIME

Before using the “Hostess” for the first time, clean the appliance as follows:

1. Remove the outer packaging and the plastic ties which hold the wire grid to the element (during transit) inside the cabinet.
2. Wash the (removable) grid and the three serving dishes in hot soapy water. Rinse with clean water and dry.
3. Before inserting the mains plug clean the inside walls with a damp cloth. You may use some detergent. DO NOT apply abrasives, oven spray, scourers etc. and avoid touching the heating elements.
4. Dry the inside of the appliance with a soft cloth.
5. Replace the grid and serving dishes.

WHAT IS THE "HOSTESS"?

The "Hostess" has been designed to keep a meal appetizingly hot from the time it is cooked until it is convenient to serve, providing complete flexibility when entertaining or keeping a meal hot for late-comers.

PRE-HEATING

Plug in and pre-heat the "Hostess" whilst the food is being cooked. (Allow 25-30 minutes). Keep the glass door closed while pre-heating. To ensure that your "Hostess" operates efficiently, and also to avoid breakage due to thermal shock, it is essential that dishes and plates are pre-warmed. You may pre-warm empty plates or dishes inside the "Hostess" whilst pre-heating the appliance.

USING THE "HOSTESS"

Inside the "Hostess"

Put the pre-warmed dish or plate with the cooked food on the grid. Do not forget to close the door.

Place the food centrally in the "Hostess".

Use utensils with flat bases for optimal heat transfer.

Foods which require a drier heat (such as small roast joints, chops, jointed chicken, sliced meat, roast or chipped potatoes, sausages, pies etc.) can be left uncovered for short periods.

If dinner is likely to be delayed for more than an hour or so, it is advisable to cover the food to preserve the moisture content.

On top of the "Hostess"

The top of the "Hostess" incorporates three special serving dishes with glass lids. They are best used for moist foods such as soups, sauces etc.

The serving dishes are suitable for both conventional and microwave ovens.

CLEANING

Use a soft damp cloth (with some detergent if required) and/or a squeezed out sponge for cleaning. Do not use scratching and scouring cleaning agents, scourers, wire wool etc.

Always remember the following points:

- Remove the mains plug from the wall socket before cleaning the appliance.
- Prevent water from running into the appliance.
- Do not touch the heating elements, even when cleaning.
- Cleaning is easiest when the appliance has cooled down but has not yet become really cold.

The removable grid and dishes can be washed.

The serving dishes are safe to wash in a dishwasher.

This appliance is intended to be used in household and similar applications such as:

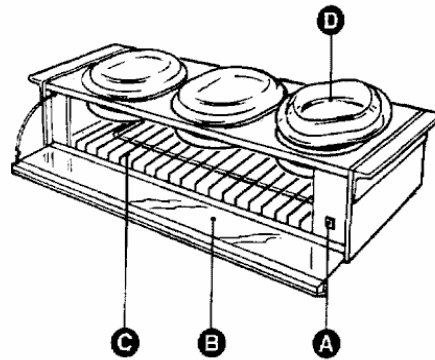
- Staff kitchen areas in shops, offices and other working environments.
- Farm houses.
- By clients in hotels, motels and other residential type environments.
- Bed and breakfast type environments.

The appliance is not intended for use by persons (including children) with reduced physical, sensory or mental capabilities, or lack of experience or knowledge, unless they have been given supervision or instruction in the use of the appliance by a person responsible for their safety.

Disposal of appliance

This appliance is marked in accordance with the European Directive 2002/96/EC on Waste Electrical and Electronic Equipment (WEEE). This guideline determines the framework for the return and recycling of used electrical appliances.

EEE producer registration
WEE/GG0057TS



GENERAL DESCRIPTION

- A PILOT LIGHT
- B GLASS DOOR
- C GRID
- D SERVING DISHES

Manufactured By: Crosslee plc, Halifax Road, Halifax, West Yorkshire, HX3 8DE
0101 094 93662
English